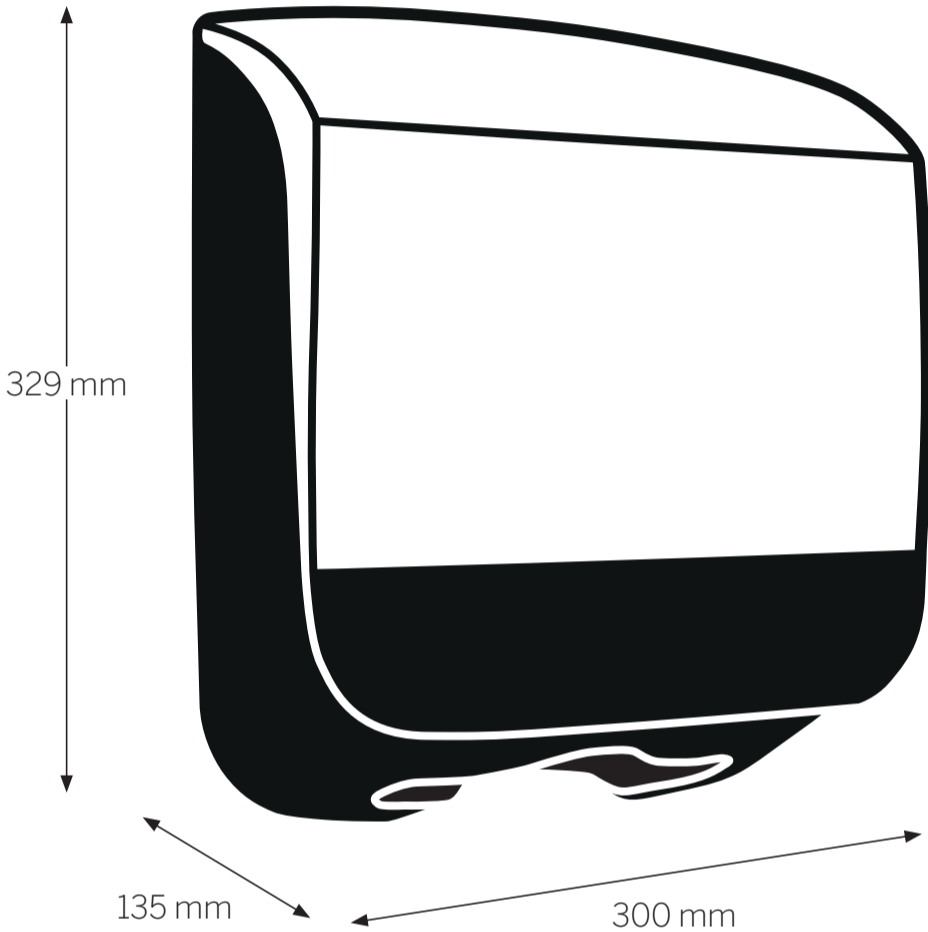




# 88942, 88966

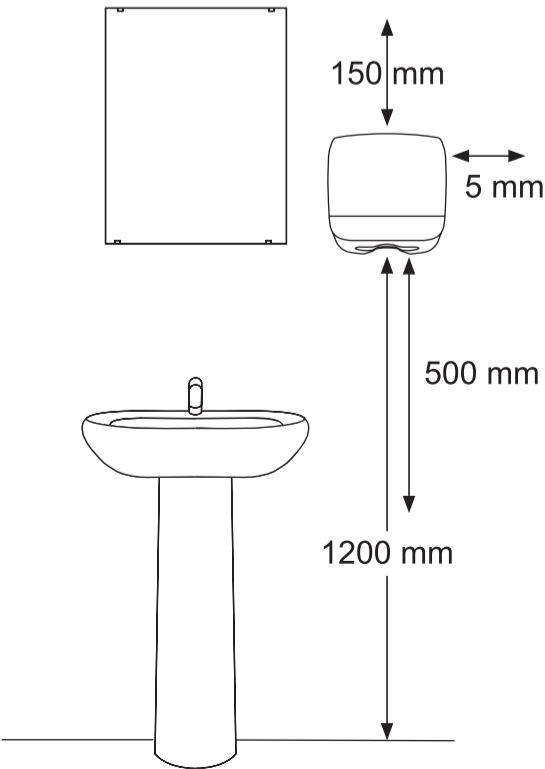
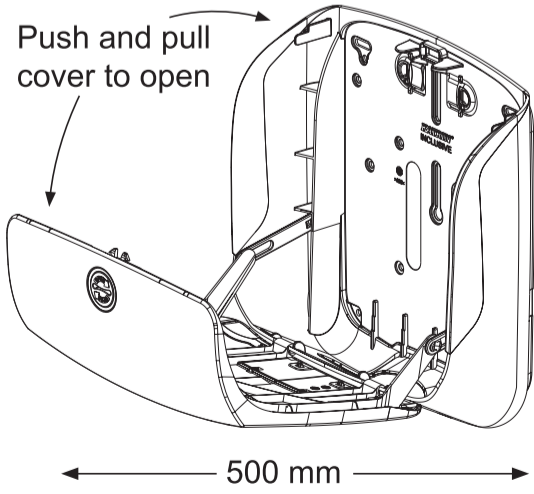
KATRIN Hand Towel S Dispenser

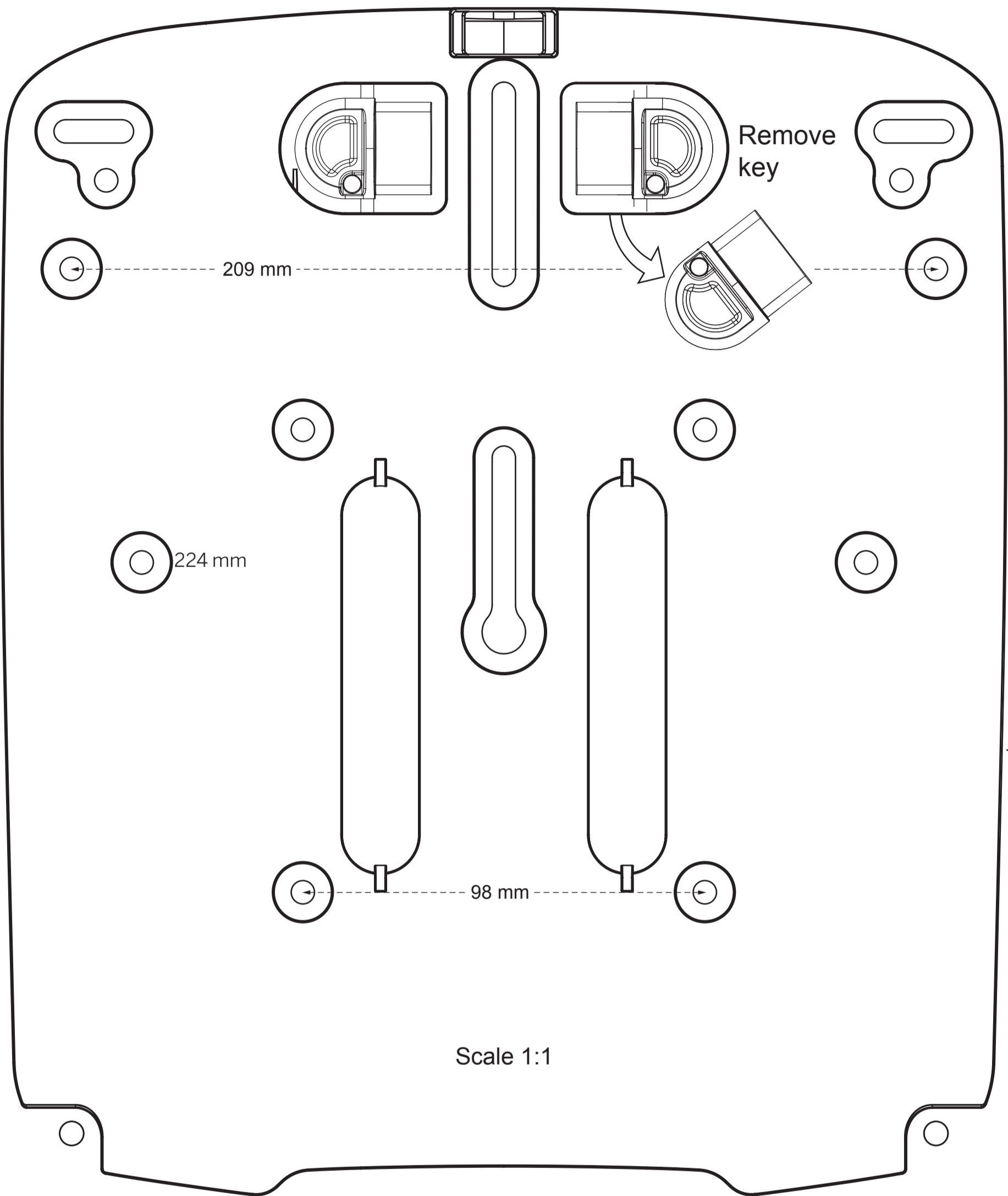


Open with key  
(Position – key needed and turn right)



Easy opening  
(Position – turn left with key once, then no key needed to open dispenser)





Use this drawing for mounting the dispenser.